

No	Instruction	HEX code	T-states
	.ORG 2340H		
1	START: LD SP, 3FB0H	31B03FH	10
2	LD A, A9H	3EA9H	7
3	LD B, B9H	06B9H	7
4	SUB B	90H	4
5	LD (3000H), A	320030H	13
6	HALT	76H	4

Table 1: Simple program.

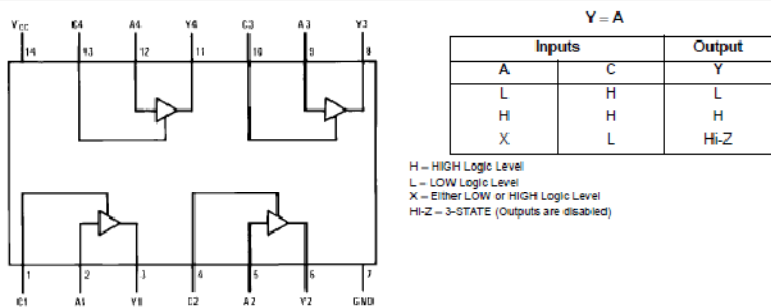


Figure 1: Pin diagram and function table of the Quad 3-state buffer (74LS126).

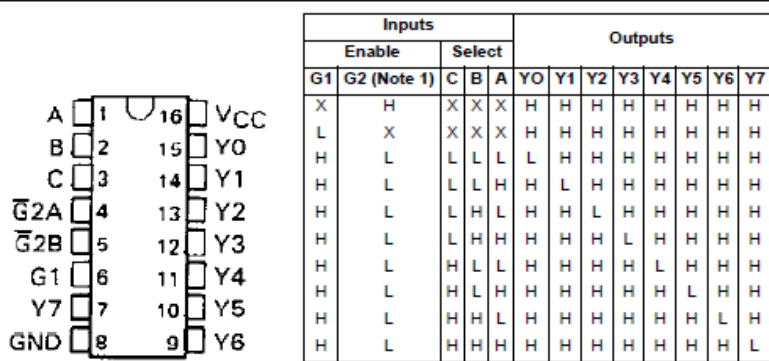


Figure 2: Pin diagram and function table of the 3-to-8 decoder (74LS138).

Note 1: $G2 = G2A + G2B$

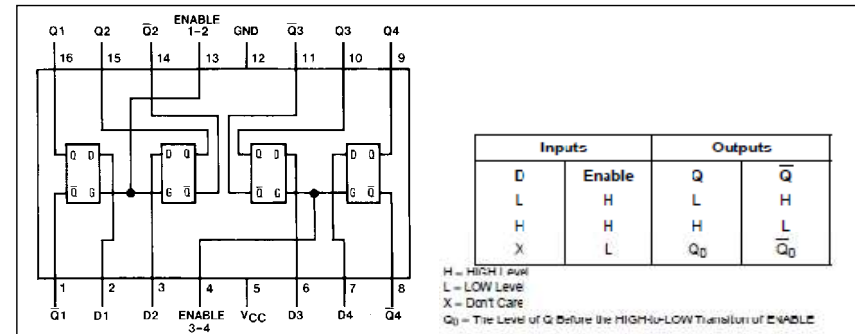


Figure 3: Pin diagram and function table of the Quad Latch (74LS75).

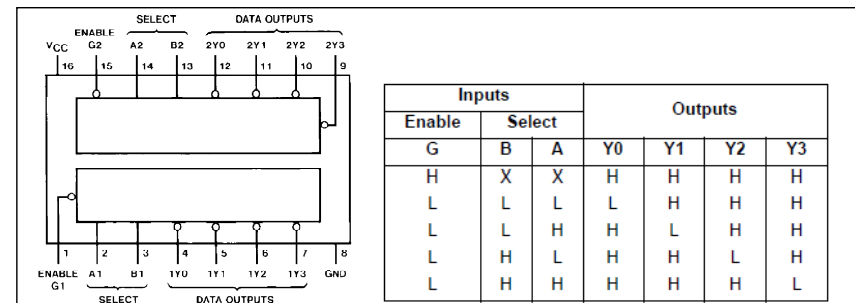


Figure 4: Pin diagram and function table of the 74LS139 2-to-4 decoder. 74LS139 contains two fully independent 2-to-4 decoders.